



# BT8508

SYSTEM X™

## MOBILE TROLLEY FOR 84" MICROSOFT® SURFACE HUB™ INSTALLATION GUIDE & PARTS LIST

This Pack Contains 1 Trolley

PLEASE KEEP THIS FOR FUTURE REFERENCE



### FEATURES

- Mobile solution for mounting 84" Microsoft® Surface Hub™
- Universal design is also ideal for landscape mounting standard screens over 72"
- Max load: 200kg
- Max VESA® fixings: 1400 x 800mm
- Dimensions: **W.** 1505mm x **H.** 2001mm x **D.** 950mm
- Lateral adjustment of screen along the length of the rail
- Arms feature levelling screws to adjust the screen height
- Safety screws help prevent unauthorised removal of screens
- Includes non-marking 4" locking/braked castors
- All mounting hardware included



### CONTENTS

Installation Safety Notes.....	2
Parts List.....	4
Installation Instructions.....	7
Optional Accessories.....	13
Product Dimensions.....	14
B-Tech Contact Details.....	16

### INSTALLATION TOOLS REQUIRED

Crosshead  
screwdriver



Level  
(optional)



Knife



**B-TECH AUDIO VIDEO MOUNTS**

[www.btechavmounts.com](http://www.btechavmounts.com)

# INSTALLATION SAFETY INSTRUCTIONS



**CAUTION:** This trolley / stand is intended for use only with the maximum weights indicated. Use with flat screen heavier than the maximum indicated may result in instability causing possible injury.

Do not attempt to install this product until all instructions and warnings have been read and properly understood. Please keep these instructions for future reference.

B-Tech International Limited, its distributors and dealers are not liable or responsible for damage or injury caused by improper installation, improper use or failure to observe these safety instructions. In such cases, all guarantees will expire.

## **General**

Great care must always be taken during installation as most AV equipment is of a fragile nature, possibly heavy and easily damaged if dropped.

If you do not fully understand the instructions or are not sure how to install this product safely, then please consult a professional for advice and/or to install this product for you. Failure to mount this product correctly may cause serious injury or death both during installation and at any time thereafter. Do not mount any AV equipment that exceeds the specific weight limit of the product you are installing. This weight limit will be clearly stated on each product and its packaging and will vary from product to product.

## **Product location**

Please pay careful attention to where this product is located. Some locations are not suitable for installation.

If located in a public or frequently populated area ensure that the product is out of the immediate reach of people.

## **Fixing hardware**

It is highly recommended that all fixing screws be used where supplied and that the purpose of all other fixing hardware is fully understood. In some cases more AV equipment fixing hardware will be supplied to accommodate different models of equipment and set up configurations.

The installer must be satisfied that any supplied fixing hardware is suitable for each specific installation. If any fixing screws or included hardware are deemed not sufficient for a safe installation then please consult a professional or your local hardware store.

## **Hazard limitation**

When routing cables take advantage of any built in cable management features that the product might provide and ensure that all cables are tidy and secure. Check to see that any moving aspect of the product can do so unhindered by any cabling.

Some products have moving parts and the potential to cause injury through the crushing or trapping of fingers or other body parts.

Particular attention to the nature of moving parts is required especially when assembling installing and adjusting during set up.

Immediately after installations double-check that the work done is safe and secure. Double-check all necessary fixings are present and are of ample tightness.

It is recommended that periodic inspections of the product and its fixing points are made as frequently as possible to ensure that safety is maintained. If in doubt consult a professional AV installer or other suitably qualified person.

CS

Společnost B-Tech International Ltd. doporučuje provést instalaci tohoto produktu prostřednictvím odborného instalátora AV či jinak způsobilé osoby. Společnost B-Tech International Ltd, její distributoři a prodejci nenesou odpovědnost za škody nebo zranění způsobená nevhodnou instalací. Tento výrobek je nutno umístit do vhodné konstrukce a používat jen po uvedené maximální výšce.

DE

B-Tech International Ltd. empfiehlt, dass dieses Produkt durch einen qualifizierten AV-Techniker oder eine andere Person mit geeigneter Qualifikation installiert wird. B-Tech International Ltd, ihre Distributoren und Händler können nicht für durch fehlerhafte Montage verursachte Beschädigung oder Verletzung haftbar bzw. verantwortlich gemacht werden. Dieses Produkt muss auf eine geeignetem Untergrund montiert werden und darf nur bis zum angegebenen Höchstgewicht verwendet werden.

ES

B-Tech International Ltd. recomienda que un instalador de audio y video profesional u otra persona debidamente cualificada instalen este producto. B-Tech International Ltd, sus distribuidores y concesionarios no se hacen cargo ni se responsabilizan de ningún daño o lesión provocados por una instalación inapropiada. Este producto se debe montar en una estructura adecuada y se debe utilizar soportando solamente hasta el peso máximo indicado.

FR

B-Tech International Ltd. recommande de confier l'installation de ce produit à un installateur AV professionnel ou à une autre personne dûment qualifiée. B-Tech International Ltd, ses distributeurs et ses revendeurs ne sauraient être tenus responsables de tout dégât ou de toute blessure résultant d'une installation incorrecte. Ce produit doit être monté sur un support approprié et utilisé dans la limite du poids maximum indiqué.

IT

B-Tech International Ltd. consiglia di affidare l'installazione di questo prodotto a un installatore specializzato o ad altra persona adeguatamente qualificata. B-Tech International Ltd, i suoi distributori e rivenditori non accettano alcuna responsabilità nei riguardi di eventuali danni o infortuni causati da un'errata installazione. Questo prodotto deve essere fissato a una struttura idonea e utilizzato unicamente sino al peso massimo indicato.

NL

B-Tech International Ltd. adviseert om dit product te laten installeren door een professionele AV-installateur of andere hiervoor gekwalificeerde persoon. B-Tech International Ltd, haar distributeurs en dealers zijn niet aansprakelijk of verantwoordelijk voor schade of letsel die is veroorzaakt door onoordeelkundige installatie. Dit product moet worden gemonteerd aan een geschikte constructie, waarbij het aangegeven maximum gewicht niet mag worden overschreden.

PL

Firma B-Tech International Ltd. zaleca, aby ten produkt był instalowany przez profesjonalnych instalatorów AV lub inny odpowiednio przeszkolony personel. Firma B-Tech International Ltd, jej dystrybutorzy i dealerzy nie ponoszą odpowiedzialności za uszkodzenia lub obrażenia ciała powstałe w wyniku nieprawidłowej instalacji. Niniejszy produkt musi być zamontowany na odpowiedniej powierzchni, a podczas użytkowania nie wolno przekraczać podanego maksymalnego obciążenia.

PT

A B-Tech International Ltd. recomenda que a instalação deste produto seja efectuada por um instalador de AV profissional ou outra pessoa devidamente habilitada. A B-Tech International Ltd. e os seus distribuidores e concessionários não são responsáveis por danos ou lesões causados por uma instalação incorrecta. Este produto tem de ser montado numa estrutura adequada e utilizado somente até ao peso máximo indicado.

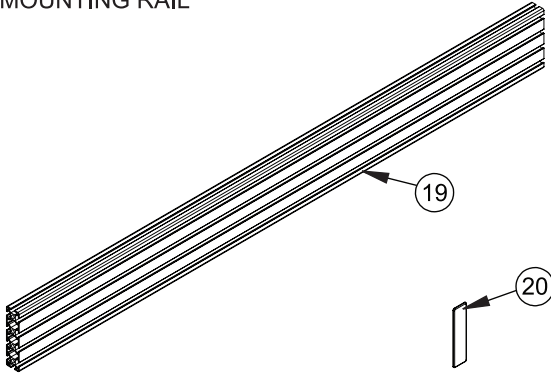
RU

Компания B-Tech International Ltd. рекомендует, чтобы установка данного изделия производилась инженером по установке аудио-видеотехники или другим специалистом с соответствующей квалификацией. Компания B-Tech International Ltd., ее дистрибьюторы и дилеры не несут ответственности за повреждения или травмы, полученные в результате неправильной установки. Данное изделие должно

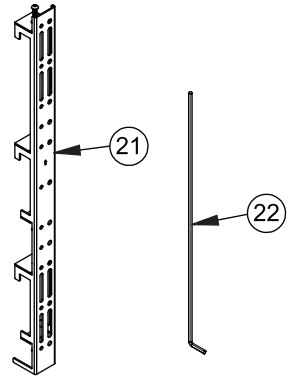
توصي بي-تيك للتجارة الدولية المحدودة بأن شخص محترف في تركيب ال AV او شخص مؤهل تأهيلا مناسباً لتركيب هذا المنتج. بي-تيك للتجارة الدولية، موزعيها والتجار ليست عرضة أو مسؤولة عن الأضرار أو الإصابات الناجمة عن تركيب غير سليم، والاستخدام غير السليم أو عدم مراعاة هذه التعليمات للسلامة. يجب أن يتم تركيب هذا المنتج في بنية مناسبة ويجب استخدام فقط لدعم الحد الأقصى للوزن المشار إليه.

**BT8508  
PARTS LIST**

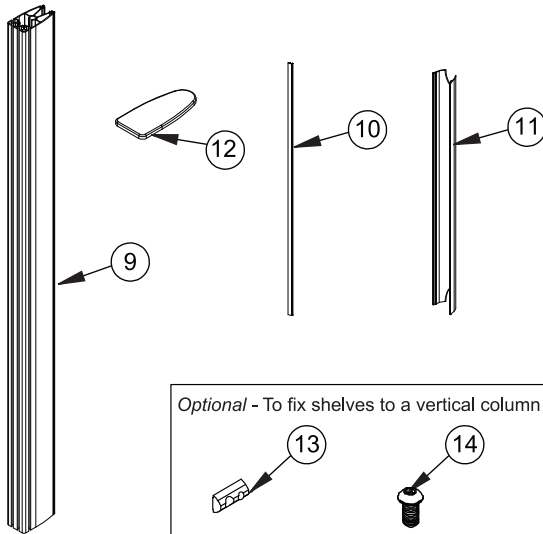
**MOUNTING RAIL**



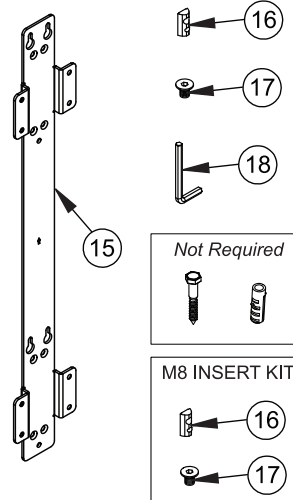
**INTERFACE ARM**



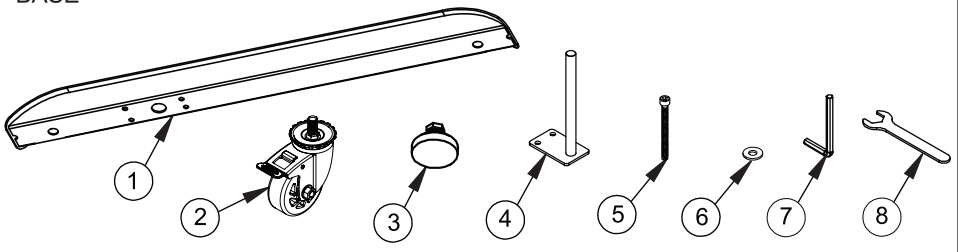
**COLUMN**

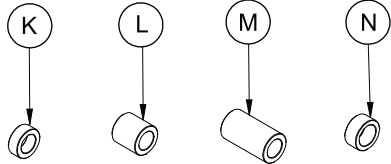
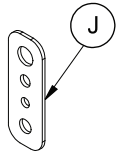
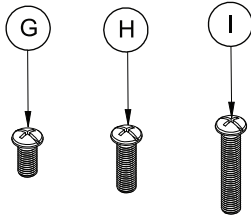
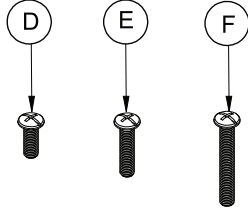
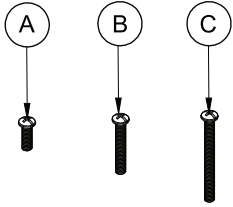


**FIXING KIT**



**BASE**





REF	PART NAME	QTY
<b>BASE</b>		
1	BASE	2
2	CASTOR	4
3	LEVELLING FOOT	4
4	SUPPORT STEM	2
5	M8 x 90mm SCREW	8
6	M8 WASHER	4
7	6AF HEX KEY	2
8	24mm SPANNER	2
<b>COLUMN</b>		
9	VERTICAL COLUMN	2
10	PLASTIC SLOT INSERT	8
11	CABLE COVER	6
12	END CAP	2
13	M8 SLIDING NUT	4
14	M8 x 16mm SCREW	4
<b>COLUMN FIXING KIT</b>		
15	FIXING PLATE	2
16	M8 SLIDING NUT	32
17	M8 x 12mm SCREW	32
18	5AF HEX KEY	2
<b>MOUNTING RAIL</b>		
19	MOUNTING RAIL	2
20	END CAP	4
<b>INTERFACE KIT</b>		
21	INTERFACE ARM	2
22	5AF HEX KEY L:450mm	1
<b>SCREEN FIXING KIT</b>		
A	M6 x 16mm SCREW	4
B	M6 x 25mm SCREW	4
C	M6 x 40mm SCREW	4
D	M8 x 16mm SCREW	4
E	M8 x 25mm SCREW	4
F	M8 x 40mm SCREW	4
G	M10 x 16mm SCREW	4
H	M10 x 25mm SCREW	4
I	M10 x 40mm SCREW	4
J	MULTIWASHER	4
K	5mm SPACER	4
L	13mm SPACER	4
M	24mm SPACER	4
N	7mm SPACER	4

PLEASE KEEP FOR FUTURE REFERENCE

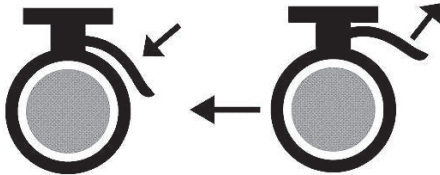


# WARNING

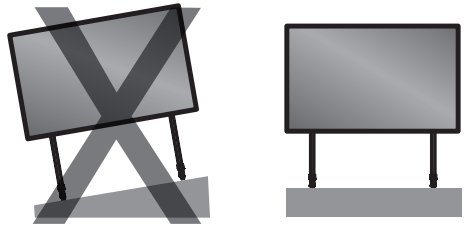


**CAN TIP OVER WHICH MAY LEAD TO  
SERIOUS INJURY.  
DO NOT ALLOW CHILDREN UNDER 16  
TO MOVE TROLLEY.  
MOVE TROLLEY SLOWLY**

**ALWAYS APPLY BRAKES WHEN  
TROLLEY IS STATIONARY  
RELEASE BRAKES WHEN PUSHING  
TROLLEY.**



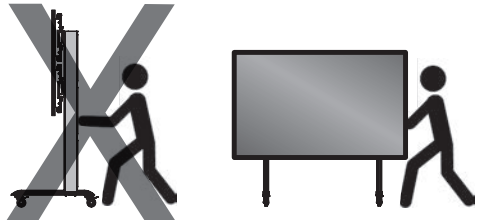
**NEVER LEAVE TROLLEY ON  
AN INCLINE.  
ALWAYS PARK ON LEVEL GROUND**



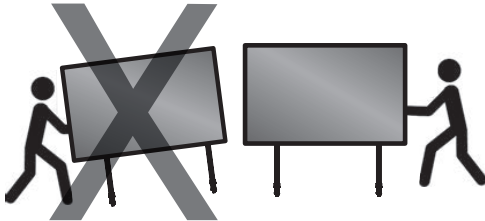
**ONLY ADULTS SHOULD PUSH  
THIS TROLLEY**



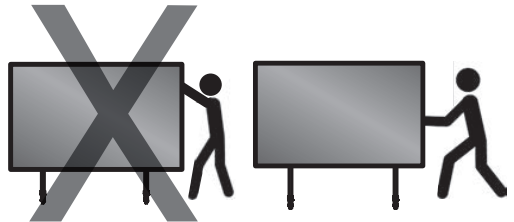
**PUSH TROLLEY ON  
NARROW SIDE**



**NEVER PULL TROLLEY.  
ALWAYS PUSH**



**DO NOT PUSH AT TOP OF TROLLEY.  
ALWAYS PUSH NEAR MIDDLE**



## FLOORSTAND STABILITY

- Install mobile stand on level ground

When verifying the stability of the structure, consider the following external factors:

1. The strength of the floor.
2. Exposure to sudden and severe wind.
3. Danger arising from contact with people and / or objects. (eg installations in passageways, emergency exits).

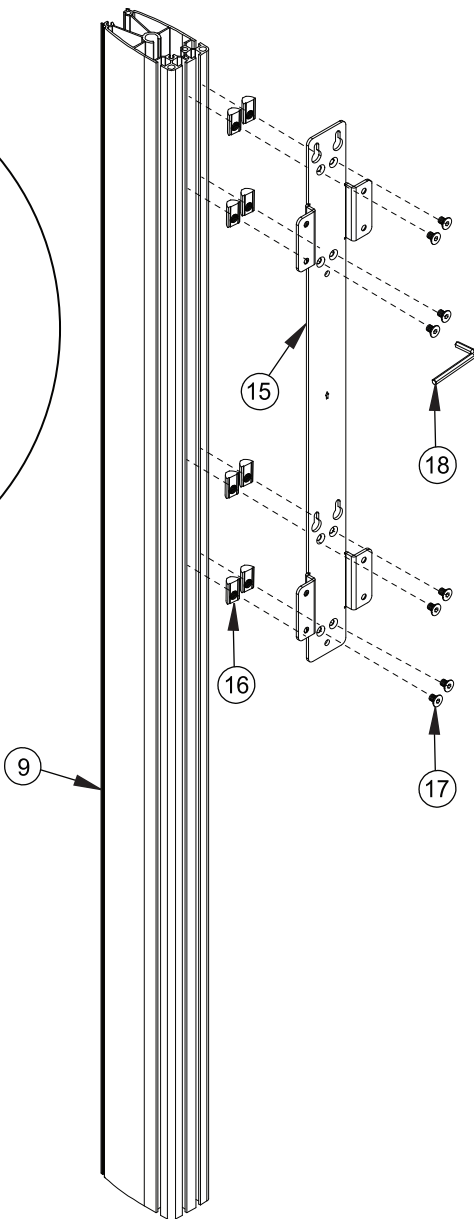
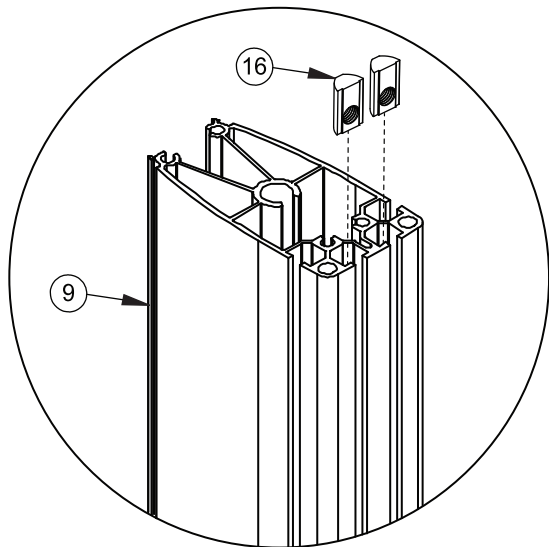
**WARNING - DANGER !!!**

# INSTALLATION INSTRUCTIONS

1

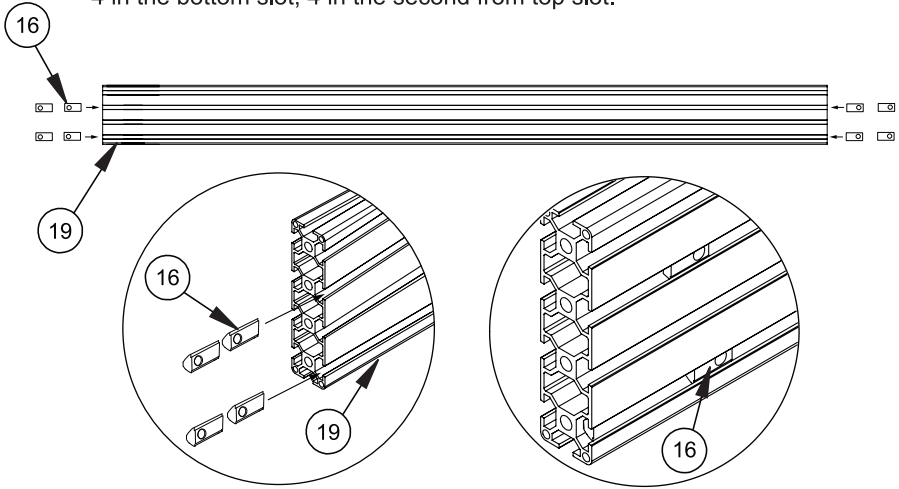
## Attach Fixing Plate to Column

- i. Insert 8 x M8 sliding nuts (part 16) into the front slots of each column (part 9), 4 in each slot.
- ii. Fasten fixing plates (part 15) to columns using the M8 x 12mm screws (part 17).



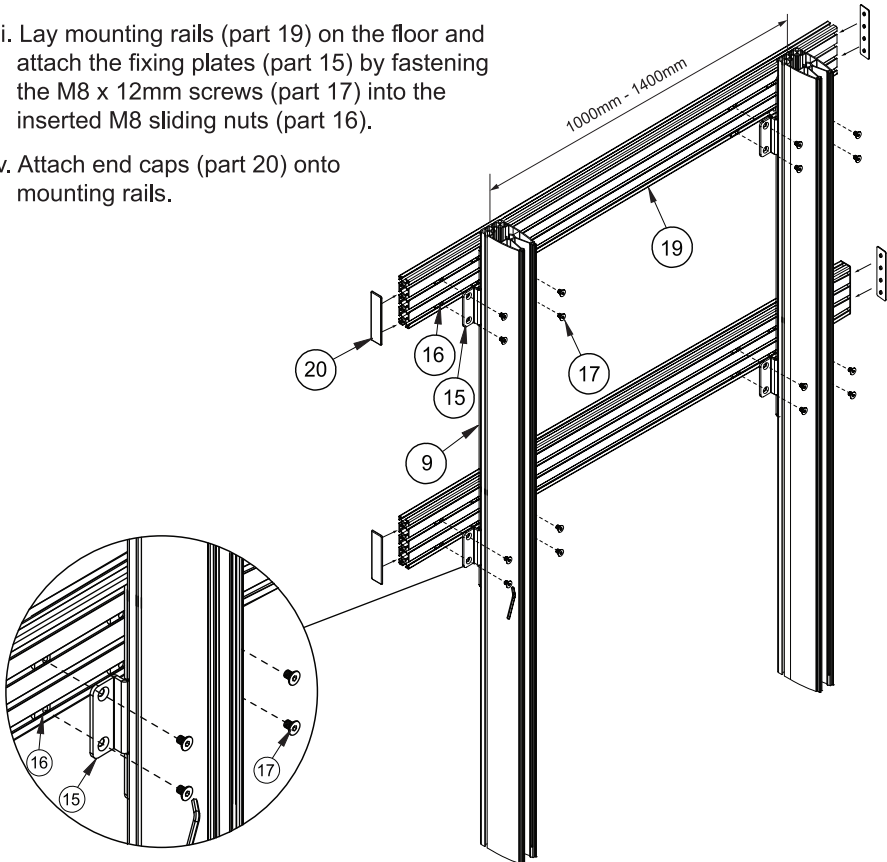
## Mount Rails to Columns

- i. Insert 8 x M8 sliding nuts (part 16) into each mounting rail (part 19).  
4 in the bottom slot, 4 in the second from top slot.



- iii. Lay mounting rails (part 19) on the floor and attach the fixing plates (part 15) by fastening the M8 x 12mm screws (part 17) into the inserted M8 sliding nuts (part 16).

- iv. Attach end caps (part 20) onto mounting rails.





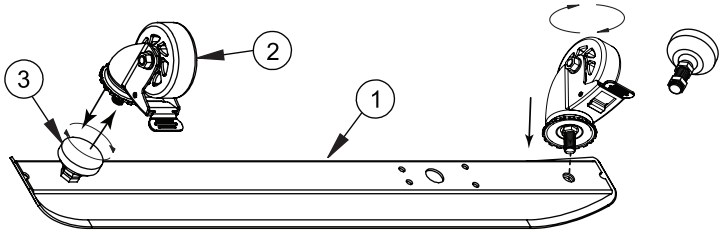
### 3

#### Assemble Bases to Columns

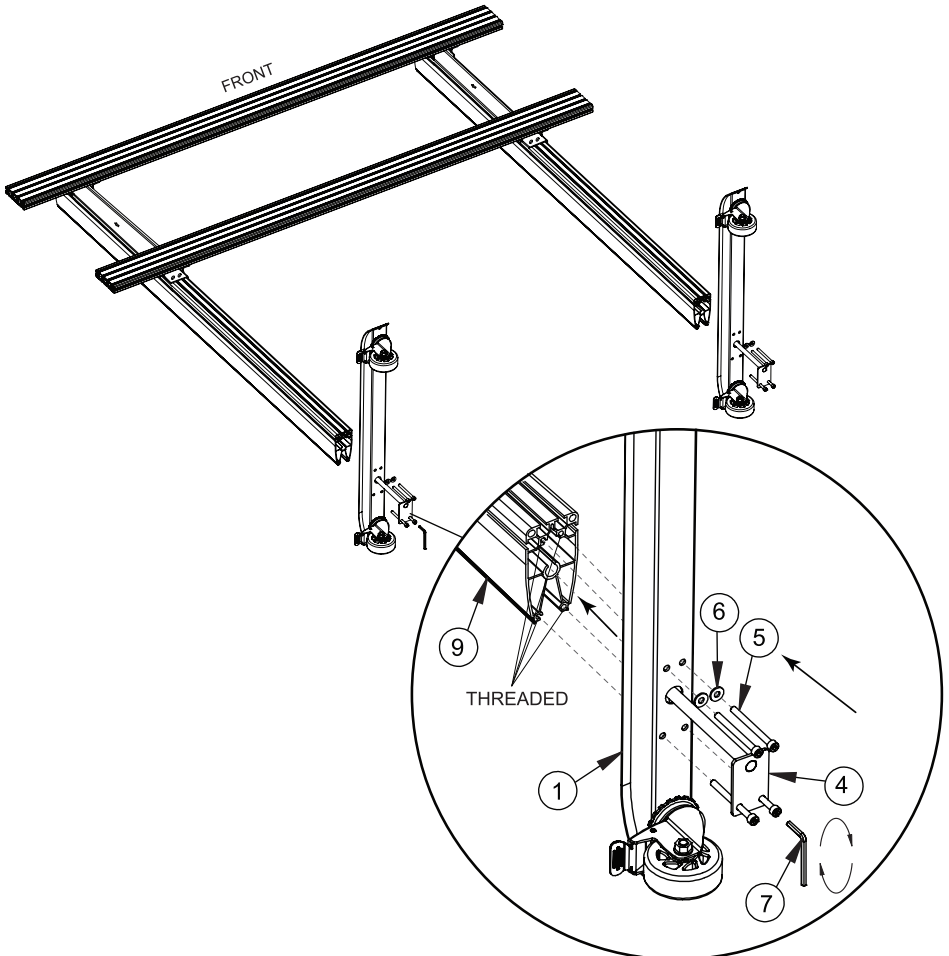
- i. If required, unscrew the levelling feet (part 3) on the base (part 1) and replace with the castors (part 2) before attaching the base to the columns.

**NOTE:**

Ensure castors are set on the braked position for assembly.



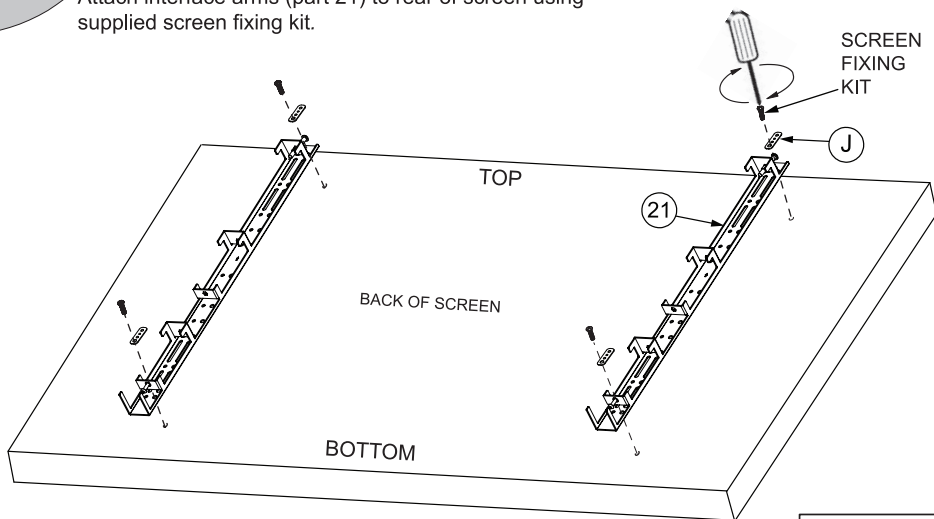
- ii. On the floor and attach the bases (part 1) to the columns (part 9) using the support stems (part 4), M8 x 90mm screws (part 5) and washers (part 6). Once bases are fixed, return stand to upright position.



4

### Mount Interface Arms to Screen

Attach interface arms (part 21) to rear of screen using supplied screen fixing kit.

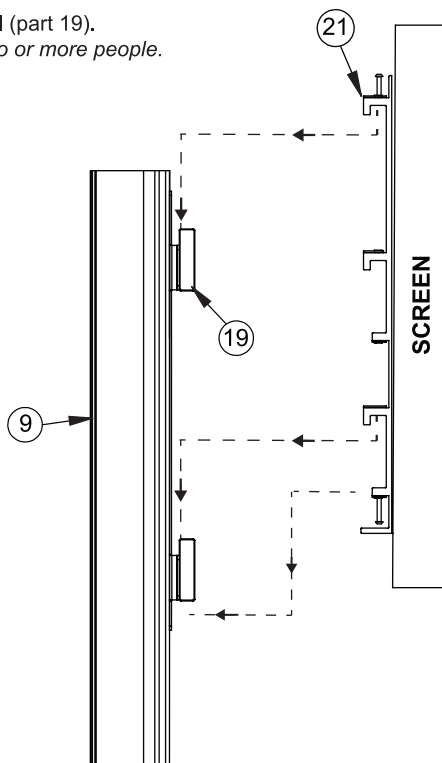


**NOTE:** Ensure the same holes are used on both of the interface arms.

5

### Mount Screen to Stand

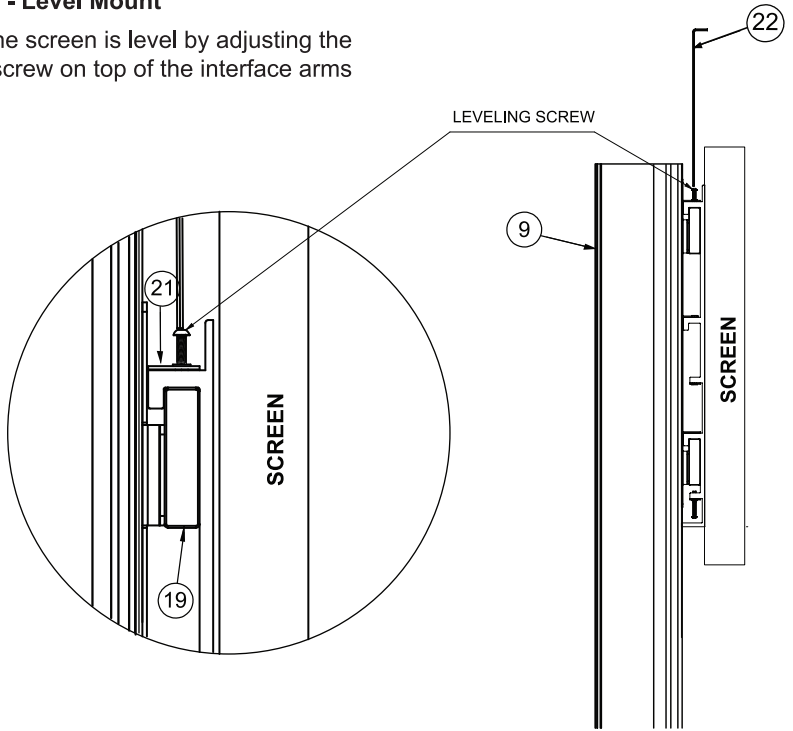
Hook screen onto mounting rail (part 19).  
*This procedure may require two or more people.*



6

### Optional - Level Mount

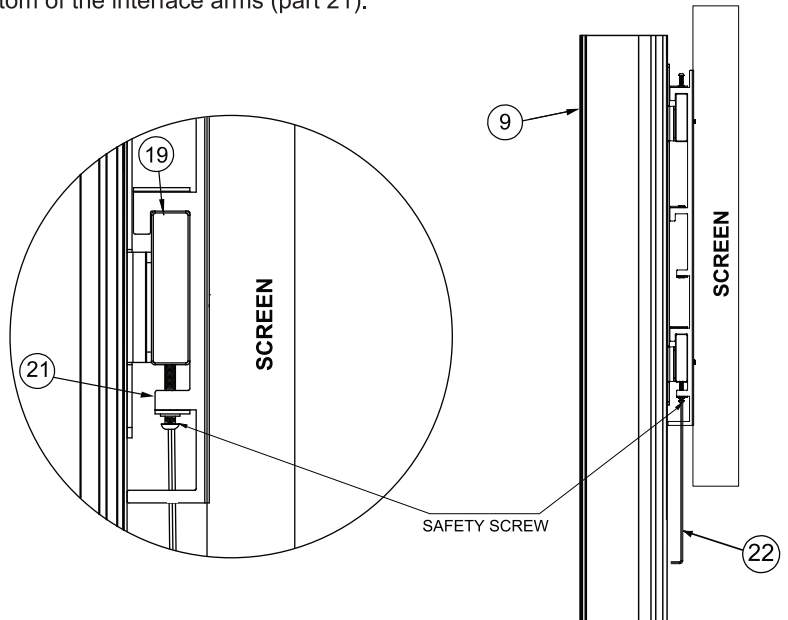
Ensure the screen is level by adjusting the leveling screw on top of the interface arms (part 21).



7

### Secure Mount

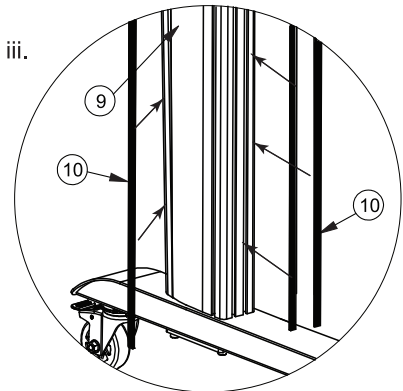
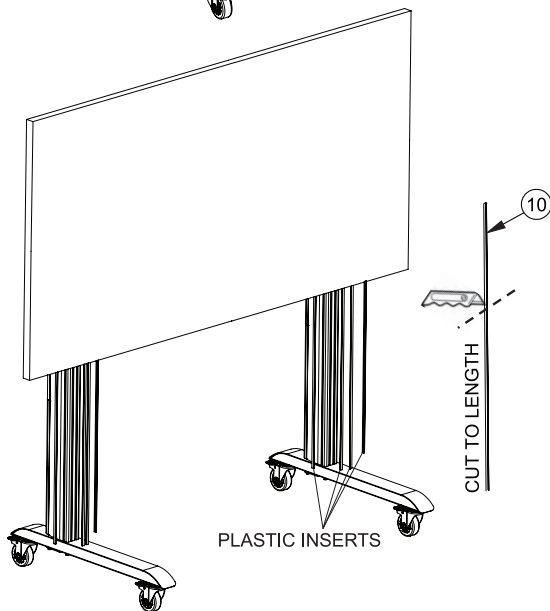
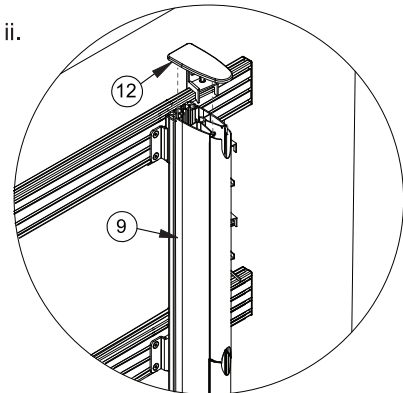
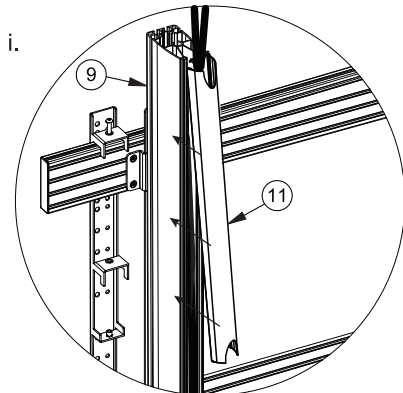
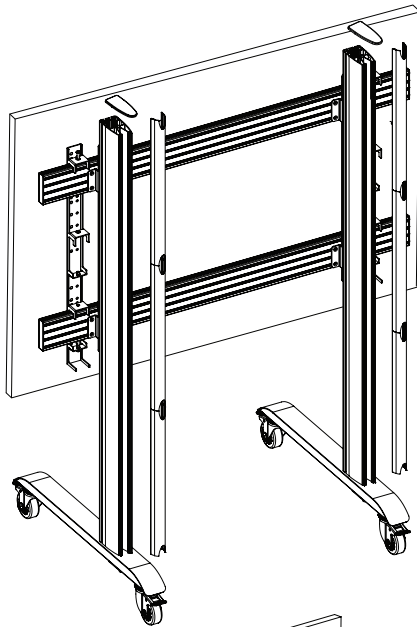
Secure mount by tightening the safety screw on the bottom of the interface arms (part 21).



# 8

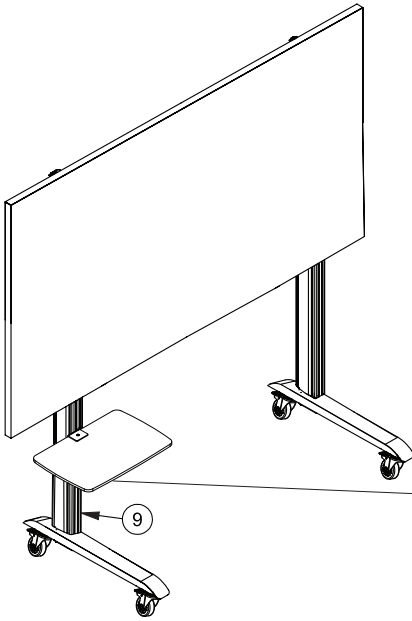
## Add End Caps and Cable Management Covers

- i. After the screen cables are connected and routed down the back of the column (part 9), partially clip on the cable management covers (part 11), this allows easy removal if more cables need adding. Once satisfied all cables are fitted, clip the covers on fully.
- ii. Fit end caps (parts 12) to the columns (parts 9).
- iii. With a knife, cut to length the plastic slot inserts (part 10) and insert to the front and sides of the columns (part 9).



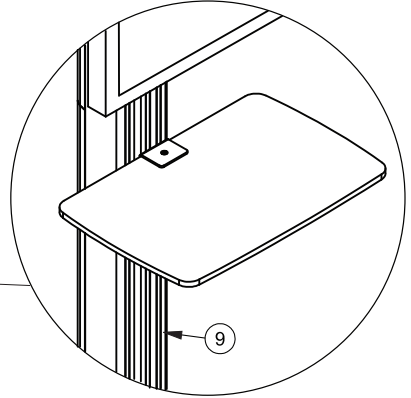
## OPTIONAL ACCESSORIES

### AV Component Shelves

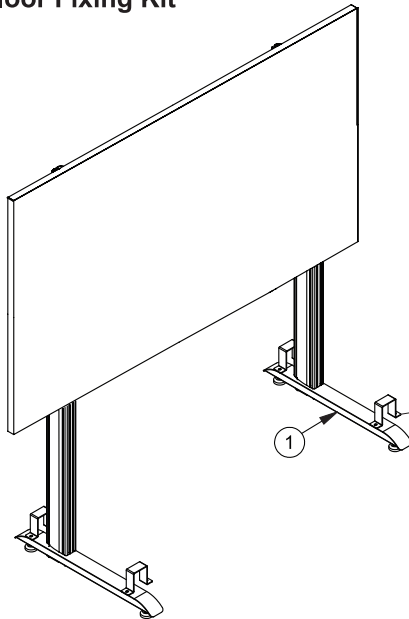


Insert 2 x M8 sliding nuts (parts 13) into the column (part 9) front slots.

Mount a B-Tech Shelf (BT7032 / BT7172 / BT7172 / BT7173) by fastening the M8 x 16mm screws (part 14) to the M8 sliding nuts.

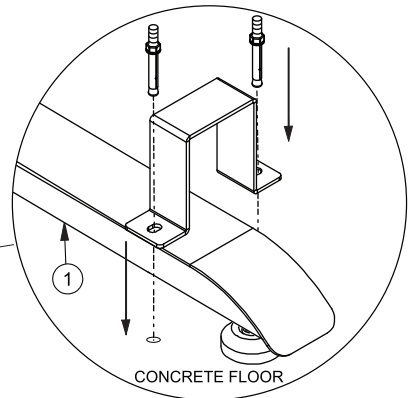


### Floor Fixing Kit



#### BT8380-FBK (x2)

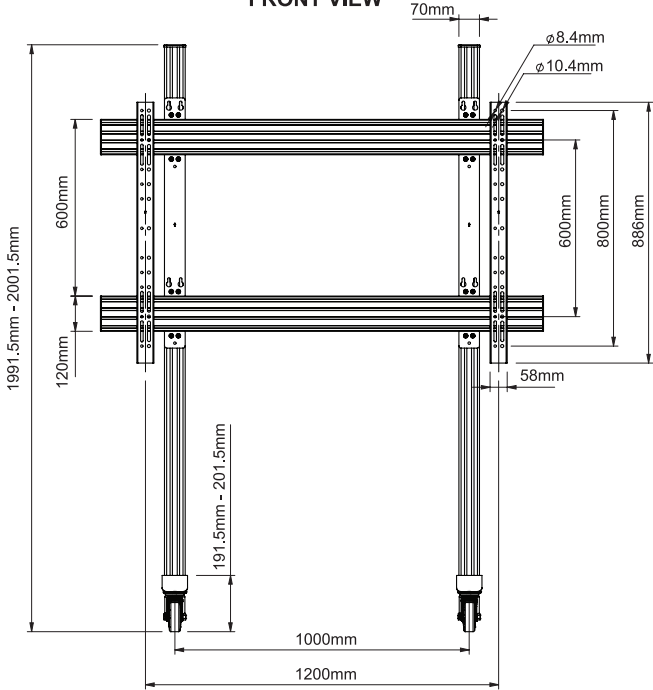
Using suitable fixings and floor anchors, attach a floor fixing bracket to the front and back of both bases (part 1).



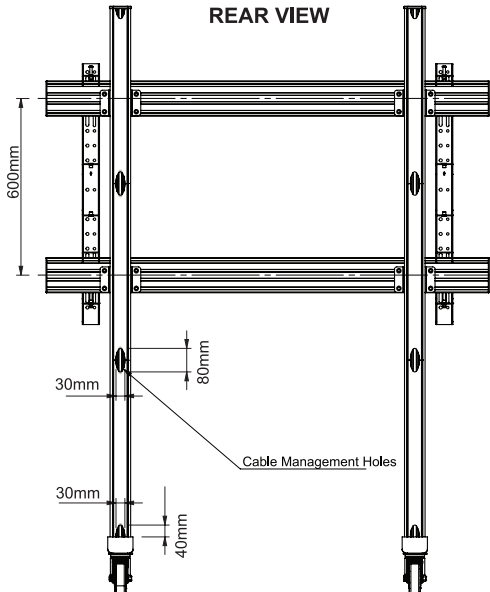
**NOTE:** The Floor Fixing Kit cannot be used when Castors are attached to the base

# BT8508 PRODUCT DIMENSIONS

## FRONT VIEW



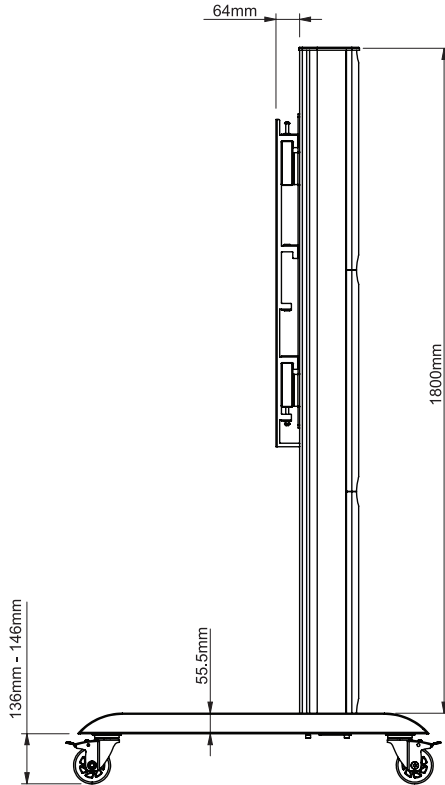
## REAR VIEW



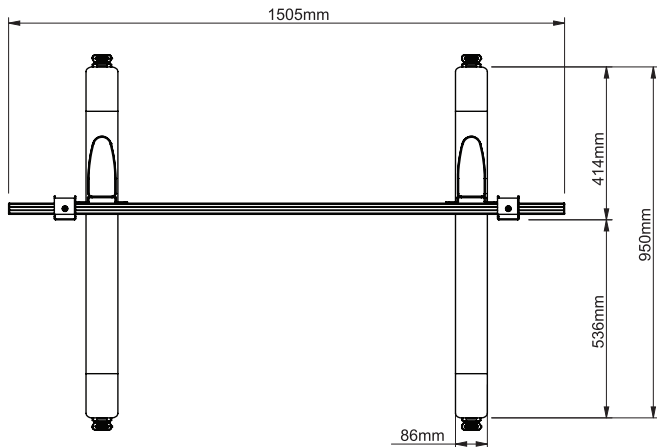
THESE INSTRUCTIONS ARE INTENDED AS A GUIDE ONLY AND B-TECH ACCEPTS NO LIABILITY FOR THE ACCURACY OF THE INFORMATION CONTAINED IN THIS DOCUMENT.

# BT8508 PRODUCT DIMENSIONS

## SIDE VIEW



## TOP VIEW



THESE INSTRUCTIONS ARE INTENDED AS A GUIDE ONLY AND B-TECH ACCEPTS NO LIABILITY FOR THE ACCURACY OF THE INFORMATION CONTAINED IN THIS DOCUMENT.



[www.btechavmounts.com](http://www.btechavmounts.com)

## **B-TECH AUDIO VIDEO MOUNTS**

### **HEAD OFFICE**

#### **B-Tech International Limited**

Bennett House, Long March, Daventry, Northants., NN11 4NR, UK

Email: [info@btechavmounts.com](mailto:info@btechavmounts.com)

©2016 B-Tech International Design and Manufacturing Limited. All rights reserved.

B-Tech Audio Video Mounts is a division of B-Tech International Design and Manufacturing Limited.

B-Tech, Better By Design & System X are registered trademarks of B-Tech International Design and Manufacturing Limited.

All other brands and product names are trademarks of their respective owners.

Photographs are for illustrative purposes only. E&OE.